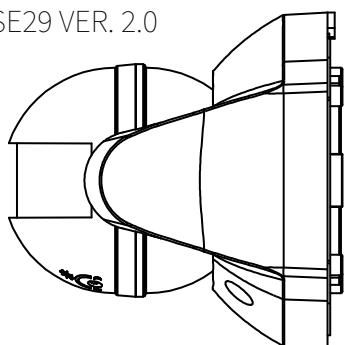




OUTDOOR MOTION SENSOR  
ZSE29 VER. 2.0



Firmware 2.01

FEATURES

- Quick and reliable motion alerts to Z-Wave hub
- Outdoor ready housing (avoid direct sun on lens)
- Set motion time-out and lux trigger at the sensor
- Auto-inclusion for easy set-up
- The latest S2 security and Z-Wave Plus chip
- Powered by common batteries or Micro USB
- Built-in tamper switch for extra security

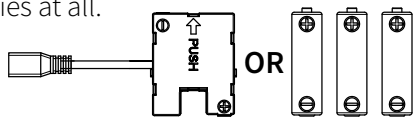
SPECIFICATIONS

- Model Number: ZSE29 VER. 2.0
- Z-Wave Signal Frequency: 908.42 MHz
- Power: 3 x AA (1.5 V) batteries / Micro USB
- Motion Detection: up to 30 feet
- Operating Temperature: -4 – 104 F
- Warm-up time: 1 minute
- Range: Up to 130 feet line of sight
- Installation and Use: Indoor / Outdoor

INSTALLATION

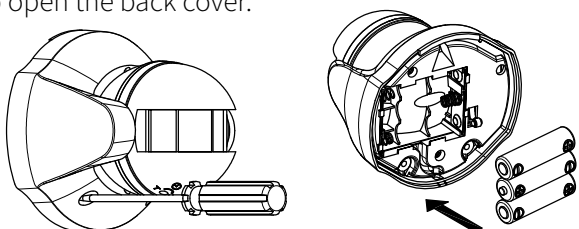
1. CHOOSE POWER SOURCE

You can use 3 standard AA batteries to power the sensor. They'll last up to a year depending on traffic, weather condition, and general quality of the batteries. OR you can use the optional USB port and not worry about batteries at all.

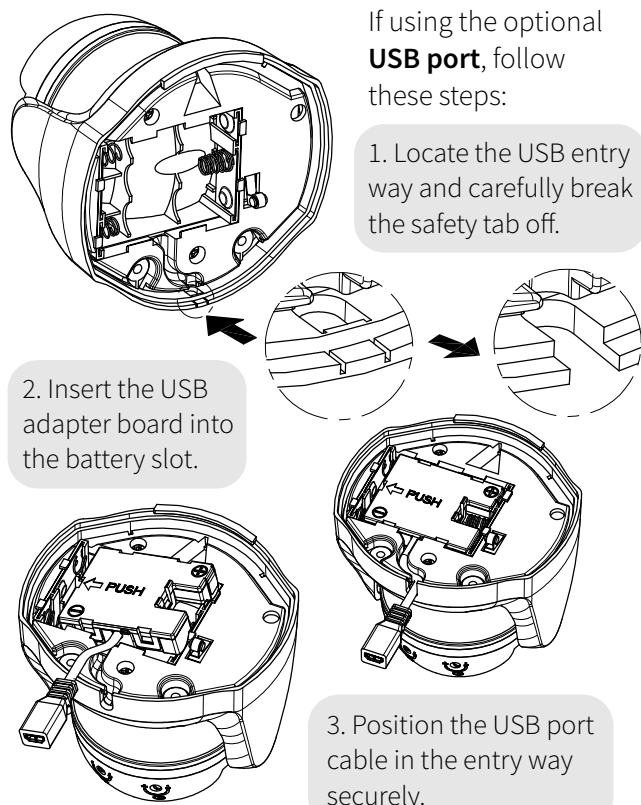


2. INSTALL BATTERIES / USB ADAPTER BOARD

Unscrew the 2 front screws with a phillips screw-driver to open the back cover.



If you're using **batteries**, insert them in following orientation marks.



If using the optional **USB port**, follow these steps:

1. Locate the USB entry way and carefully break the safety tab off.

2. Insert the USB adapter board into the battery slot.

3. Position the USB port cable in the entry way securely.

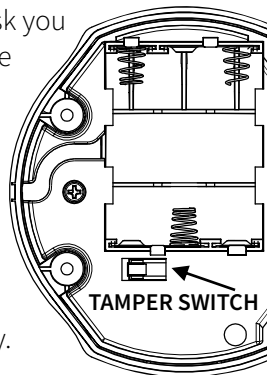
3. TEST THE SENSOR

Once the device is powered, the LED indicator will turn on for **1 minute (warm-up time)**. If it doesn't go on at all, please try fresh batteries. **DON'T close** the back cover until you test the sensor with your Z-Wave hub.

Z-WAVE CONTROL

1. ADD DEVICE to your hub (AUTO INCLUSION)

**Initiate inclusion (pairing)** in the app (or web interface). Not sure how? ask@getzooz.com  
If you're using an S2 hub, it may ask you to enter the DSK key printed on the back cover sticker to complete secure inclusion.



2. POWER the sensor

Insert the batteries or the USB adapter board. The LED indicator will start blinking and the sensor will join the network automatically.

MANUAL INCLUSION

Put your Z-Wave hub into inclusion mode and **click the tamper switch 3 times** quickly.

Get step-by-step instructions for adding the sensor to **SmartThings, Vera,** and other hubs at [www.support.getzooz.com](http://www.support.getzooz.com)



TROUBLESHOOTING

**The sensor won't add to your system? Try this:**

1. Initiate **EXCLUSION** and click the tamper switch 3 times quickly.
2. Click the tamper switch **4-5 times quickly** when adding it or try adding it in a **non-secure** mode.
3. Bring the sensor **closer** to your hub, it may be out of range.
4. Double-check if the device is powered.
5. Get troubleshooting tips for your hub at [www.support.getzooz.com](http://www.support.getzooz.com)

EXCLUSION (REMOVING / UNPAIRING DEVICE)

1. Bring the sensor within direct **range** of your Z-Wave gateway (hub).
2. Put the Z-Wave hub into **exclusion** mode (not sure how to do that? ask@getzooz.com).
3. Press and release the **tamper switch 3 times** quickly.
4. Your hub will confirm exclusion and the sensor will disappear from your controller's device list.

FACTORY RESET

When your network's primary controller is missing or otherwise inoperable, you may need to reset the device to factory settings manually. In order to complete the process, make sure the sensor is powered, then **click the tamper switch 5 times firmly, then within 3 seconds, click it another 5 times**. The LED indicator will flash to indicate successful reset. The sensor will then enter auto-inclusion mode for 4 minutes.

**NOTE: All previously recorded activity and custom settings will be erased from the device's memory.**

WAKE-UP MODE

The sensor's wake-up interval is set to 4 hours by default to save battery life. Use the Wake Up Command Class to adjust the interval (in seconds, working in 600s intervals, with 600 as min and 86400 as max values). **Take out and re-insert the batteries to wake the sensor up manually.** During wake-up, the sensor turns the Z-Wave radio on for 10 seconds to receive communication from the hub. Long wake-up interval will not affect how often the sensor reports motion to your hub.

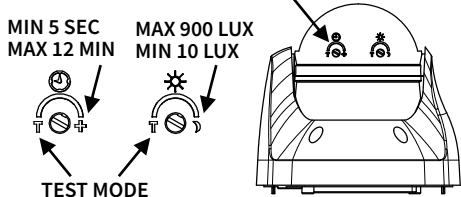
ASSOCIATION

The Outdoor Motion Sensor supports Group 1 with 1 Controller node for lifeline communication and Group 2 with up to 4 devices for PIR Control. This device will send a Notification Report to Group 1 and BASIC\_SET command to Group 2 whenever it detects motion.

## PROGRAMMING

The sensor works in 2 modes:

**1. TEST MODE** when it's not mounted on the wall and the tamper switch isn't pressed. The LED indicator will then flash every time motion is detected. Use this mode to make sure the mounting location for your sensor is within Z-Wave range and to optimize positioning for motion detection. Turn the timer and lux knobs all the way to the left to launch test mode for the sensor. It will now report motion and trigger associated Z-Wave lights anytime movement is detected (regardless of daylight and as often as every 5 seconds). **Remember to adjust the knobs using the supplied flat screwdriver tool when exiting test mode.**



**2. NORMAL MODE** when the sensor is mounted on the wall and the tamper switch is pressed in for at least 10 seconds. The LED indicator will NOT flash when motion is detected to save battery. The sensor will send motion alerts and trigger connected lights according to the timer and lux knob settings or advanced Z-Wave settings. If the **LED indicator flashes** when motion is detected in normal mode, it means **LOW BATTERY**.

## ADVANCED SETTINGS

**Parameter 3:** Adjust **motion sensitivity** where 10 is the most sensitive setting.

**Values:** 1-10 (default: 10)

**Size:** 1 byte dec

**Parameter 4:** Set **lux level trigger** with 10 being the lowest reported value and 900 being the highest reported value. The sensor will report motion to the hub and associated devices only if the brightness (lux) level is below the set trigger value.

**Values:** 0 - set manually by lux knob; 1 - ignore lux readings and always report motion; 10-900 - set custom trigger (default: 0)

**Size:** 2 byte dec

**Parameter 5:** Set **motion re-trigger time** for the delay before the sensor reports no motion to the hub and associated devices after detecting the last motion activity.

**Values:** 0 - set manually by timer knob; 5-720 (seconds) - set custom re-trigger time (default: 0)

**Size:** 2 byte dec

**Parameter 6:** Set **lux reporting frequency** to decide how often the sensor will measure and send brightness level data to the hub and associated devices. **Note: Frequent reports will affect battery life.**

**Values:** 1 - 1440 (minutes); default: 30 (minutes)

**Size:** 2 byte dec

We listed the most helpful settings above. **For a complete list of parameters, go to [www.support.getzooz.com](http://www.support.getzooz.com)**

## MOUNTING

Find a spot within Z-Wave range to install the sensor. It should be a clean flat surface with the sensor's head looking down so the lens is protected from rainfall. **Make sure you test the sensor before mounting it.**

### A FEW TIPS:

- The sensor best detects movement to the sides of the lens rather than activity directly in front of it.
- Mount it 6 feet above the ground. Use a standard phillips screwdriver to attach the mounting screws.
- Don't position it facing a window, direct sunlight, or above any source of heat (radiator, boiler, etc.).

### 1. MARK HOLES

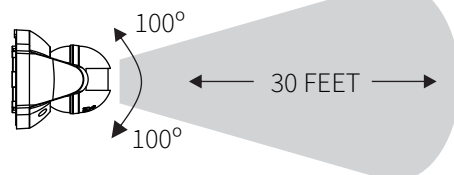
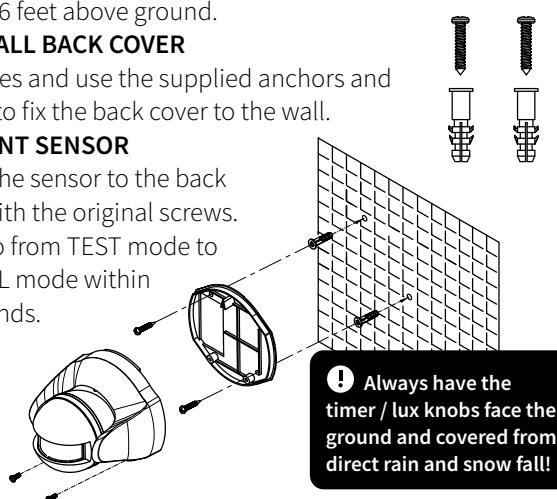
Use the back cover to mark 2 mounting holes on a dry clean surface 6 feet above ground.

### 2. INSTALL BACK COVER

Drill holes and use the supplied anchors and screws to fix the back cover to the wall.

### 3. MOUNT SENSOR

Attach the sensor to the back cover with the original screws. It will go from TEST mode to NORMAL mode within 10 seconds.



## ! WARNING

- This product should be installed indoors or outdoors in a sheltered area upon completion of any building renovations.
- Prior to installation, the device should be stored in a dry, dust-and-mold-proof place.
- Do not install the device in a place with direct sun exposure, high temperature, or humidity.
- Keep away from chemicals, water, and dust.
- Ensure the device is never close to any heat source or open flame to prevent fire.
- No part of the device may be replaced or repaired by the user except for the batteries.

## COMMAND CLASSES

This device requires the following **command classes** to be supported and recognized by your Z-Wave controller:

COMMAND\_CLASS\_ZWAVEPLUS\_INFO\_V2  
COMMAND\_CLASS\_ASSOCIATION\_V2  
COMMAND\_CLASS\_ASSOCIATION\_GRP\_INFO  
COMMAND\_CLASS\_TRANSPORT\_SERVICE\_V2  
COMMAND\_CLASS\_VERSION\_V2  
COMMAND\_CLASS\_MANUFACTURER\_SPECIFIC\_V2  
COMMAND\_CLASS\_DEVICE\_RESET\_LOCALLY  
COMMAND\_CLASS\_POWERLEVEL  
COMMAND\_CLASS\_SECURITY  
COMMAND\_CLASS\_SECURITY\_2  
COMMAND\_CLASS\_SUPERVISION  
COMMAND\_CLASS\_FIRMWARE\_UPDATE\_MD\_V4  
COMMAND\_CLASS\_BATTERY  
COMMAND\_CLASS\_WAKE\_UP\_V2  
COMMAND\_CLASS\_NOTIFICATION\_V4  
COMMAND\_CLASS\_CONFIGURATION  
COMMAND\_CLASS\_SENSOR\_MULTILEVEL



This product can be included and operated in any Z-Wave network with other Z-Wave certified devices from other manufacturers and/or other applications. All non-battery operated nodes within the network will act as repeaters regardless of vendor to increase reliability of the network. This product features the latest Security 2 (S2) framework to remove smart home network hacking risks. This device is equipped with a unique authentication code for trusted wireless communication.

## WARRANTY

This product is covered under a 12-month limited warranty. To read the full warranty policy or file a warranty claim, please go to [www.getzooz.com/warranty](http://www.getzooz.com/warranty)

IN NO EVENT SHALL ZOOZ OR ITS SUBSIDIARIES AND AFFILIATES BE LIABLE FOR ANY INDIRECT, INCIDENTAL, PUNITIVE, SPECIAL, OR CONSEQUENTIAL DAMAGES, OR DAMAGES FOR LOSS OF PROFITS, REVENUE, OR USE INCURRED BY CUSTOMER OR ANY THIRD PARTY, WHETHER IN AN ACTION IN CONTRACT, OR OTHERWISE EVEN IF ADVISED OF THE POSSIBILITY OF SUCH DAMAGES. ZOOZ'S LIABILITY AND CUSTOMER'S EXCLUSIVE REMEDY FOR ANY CAUSE OF ACTION ARISING IN CONNECTION WITH THIS AGREEMENT OR THE SALE OR USE OF THE PRODUCTS, WHETHER BASED ON NEGLIGENCE, STRICT LIABILITY, BREACH OF WARRANTY, BREACH OF AGREEMENT, OR EQUITABLE PRINCIPLES, IS EXPRESSLY LIMITED TO, AT ZOOZ'S OPTION, REPLACEMENT OF, OR REPAYMENT OF THE PURCHASE PRICE FOR THAT PORTION OF PRODUCTS WITH RESPECT TO WHICH DAMAGES ARE CLAIMED. ALL CLAIMS OF ANY KIND ARISING IN CONNECTION WITH THIS AGREEMENT OR THE SALE OR USE OF PRODUCTS SHALL BE DEEMED WAIVED UNLESS MADE IN WRITING WITHIN THIRTY (30) DAYS FROM ZOOZ'S DELIVERY, OR THE DATE FIXED FOR DELIVERY IN THE EVENT OF NONDELIVERY.

### FCC NOTE

THE MANUFACTURER IS NOT RESPONSIBLE FOR ANY RADIO OR TV INTERFERENCE CAUSED BY UNAUTHORIZED MODIFICATIONS TO THIS EQUIPMENT. SUCH MODIFICATIONS COULD VOID THE USER'S AUTHORITY TO OPERATE THE EQUIPMENT. STORE INDOORS WHEN NOT IN USE. SUITABLE FOR DRY LOCATIONS ONLY. DO NOT IMMERSIVE IN WATER. NOT FOR USE WHERE DIRECTLY EXPOSED TO WATER.

This device complies with Part 15 of the FCC Rules.

Operation is subject to the following conditions:

1. This device may not cause harmful interference,
2. This device must accept any interference received, including interference that may cause undesired operation.

This equipment has been tested and found to comply with the limits for a Class B digital device, pursuant to part 15 of the FCC Rules.

These limits are designed to provide reasonable protection against harmful interference in a residential installation.

This equipment generates, uses and can radiate radio frequency energy and, if not installed and used according to instructions, may cause harmful interference to radio communications.

However, there is no guarantee that interference will not occur in any given installation. If this equipment causes harmful interference to radio or television reception, the user may try to correct the interference by taking one or more of the following measures:

- Reorient or relocate receiving antenna
- Increase the separation between equipment and receiver
- Connect equipment into a separate outlet or circuit from receiver
- Consult the dealer or an experienced radio/TV technician for additional assistance

All brand names displayed are trademarks of their respective holders.

© Zooz 2019